

Part number

# CAV 24 L29



## Brief description:

hoods for single lever, size "104.27", top entry, Pg29, metal version, IP66

### Product description

Version	metal version
Series	hoods for single lever
Product type	with 2 pegs
Variant	top entry
Style	high construction
Family	CLASS enclosures
Size	size "104.27"

### Technical data

Material	metal
IP degree of protection	IP66 (and IP69K DIN 40050 - 9)
Cable entry	Pg29

### Further technical details

Weight	270,00 g
--------	----------

### Approvals / Standards

Quality mark	 (type:4/4X/12),  , EAC
Conformity	CQC, CE

### General ordering information

EAN13 code	8015747009997
Tariff number	85369095

### Packaging Information

Packaging length	245,00 mm
Packaging height	165,00 mm
Packaging width	215,00 mm
Packaging weight	2,70 kg
Packaging volume	8,69 dm <sup>3</sup>
Packaging description	Carton box
Packaging quantity	10 Pcs
Packaging EAN code	8015747226141
Sub-packaging weight	1,35 kg
Sub-packaging description	Plastic packaging
Sub-packaging quantity	5 Pcs
Sub-packaging EAN barcode	8015747010009

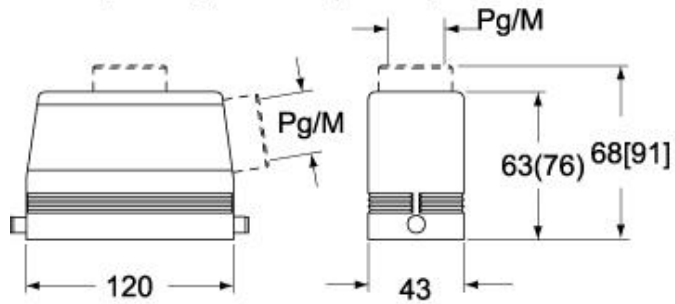
Part number

# CAV 24 L29



Catalogue drawings

**CHO L (CAO L) - MHO L [MAO L]  
CHV L [CAV L] - MHV L (MAV L)**



**CHV LG (CAV LG), MHV LG (MAV LG) [MFV LG]**

